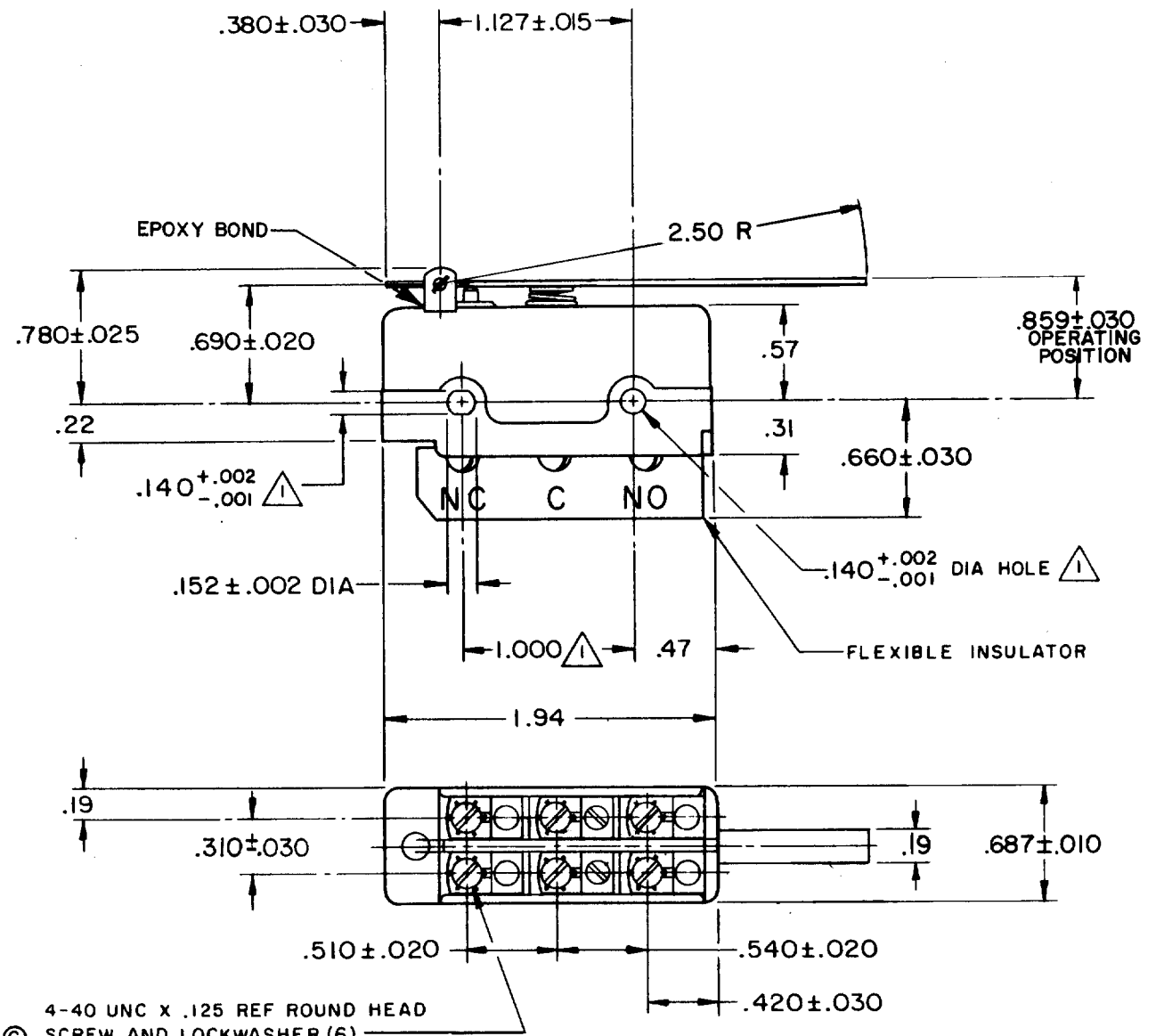


SWITCH-BASIC

DT-2RV-A7
DT-2RV-A7
 DRAWING NUMBER
13
 ISSUE
8

REPLACES
 RELEASE NO.
 CHECK
 REVISIONS
A CO17725
 10 JUN 63
B CO17725
 28 AUG 63
C CO24941
 2 DEC 68
D CO26075
 26 AUG 69
E CO37528
 31 AUG 76
F CO38280
 30 MAR 77
G CO39046
 16 SEPT 77
H CO61634
 17 JUL 87
 CHECK **K.S.D.**
19 JUN 63
 CHECK
 DRAWN
FO-90378
LEB 10 JUNE 63



4-40 UNC X .125 REF ROUND HEAD
 SCREW AND LOCKWASHER (6)

NOTE -
 MOUNTING HOLES WILL ACCEPT PINS OR SCREWS
 OF .139 MAX DIA ON 1.000±.002 CENTERS

THIS DRAWING COVERS A PROPRIETARY ITEM AND IS THE PROPERTY OF MICRO SWITCH, A DIVISION OF MINNEAPOLIS-HONEYWELL REGULATOR CO. THIS DRAWING IS NOT TO BE COPIED OR USED WITHOUT THE APPROVAL OF MICRO SWITCH.

CHARACTERISTICS	ELECTRICAL DATA	SCALE FULL
OPERATING FORCE ----- 3 1/2-6 OZ	CONTACT ARRANGEMENT D P D T	DO NOT SCALE PRINT
RELEASE FORCE ----- 1 OZ MIN	UL LISTED-FILE E12252	UNLESS OTHERWISE NOTED
PRETRAVEL ----- 1.110 MAX	CODE L59	DIMENSIONS ARE IN INCHES
DIFFERENTIAL TRAVEL ----- 490-755	10A-125 OR 250 VAC	TOLERANCES ARE:
OVERTRAVEL ----- .062 MIN	0.3A-125 VDC; 0.15A-250 VDC	ONE PLACE (.0) ±.030
	(SR)	TWO PLACE (.00) ±.015
		THREE PLACE (.000) ±.005
		ANGLES ±
		WEIGHT 060 LB